

IMPORTANT NOTE:

THIS INFORMATION IS ONLY MEANT TO SHOW HELPFUL EXAMPLES OF HOW HARDWARE MAY BE USED. IT IS NOT MEANT TO BE THE INSTALLATION INSTRUCTIONS FOR A PROJECT.

PLATFORM HARDWARE MUST BE INSTALLED ACCORDING TO ENGINEER DESIGNED AND APPROVED DRAWINGS AND SPECIFICATIONS FOR YOUR PARTICULAR PROJECT.

DO NOT INSTALL PLATFORM HARDWARE ACCORDING TO THESE INSTRUCTIONS WITHOUT ENGINEER APPROVED DRAWINGS DESIGNED FOR YOUR SPECIFIC PROJECT.

ALWAYS INSTALL ACCORDING TO YOUR ENGINEER'S SPECIFICATIONS AND INSTRUCTIONS.

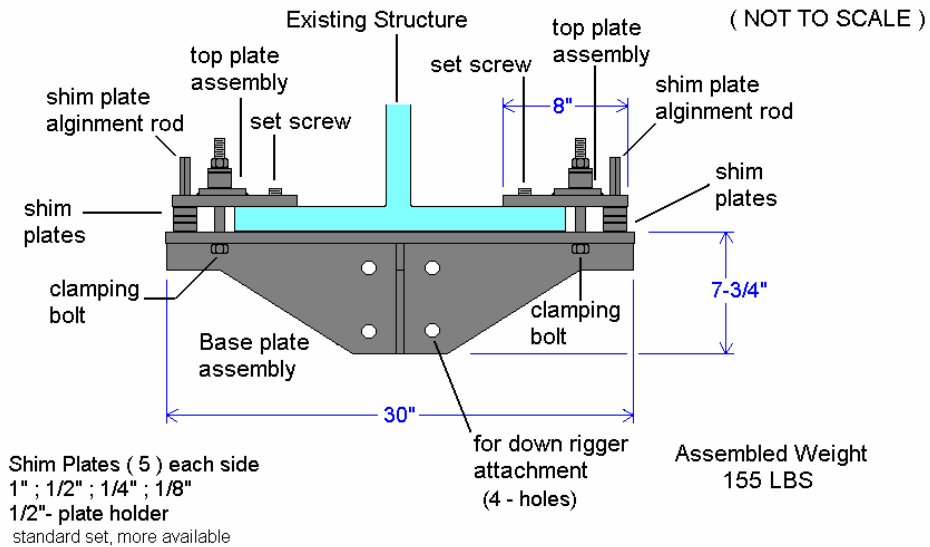
NEVER EXCEED ENGINEER'S SPECIFICATIONS FOR YOUR PLATFORM REGARDLESS OF HARDWARE CAPACITY.

# Beam Flange Clamp

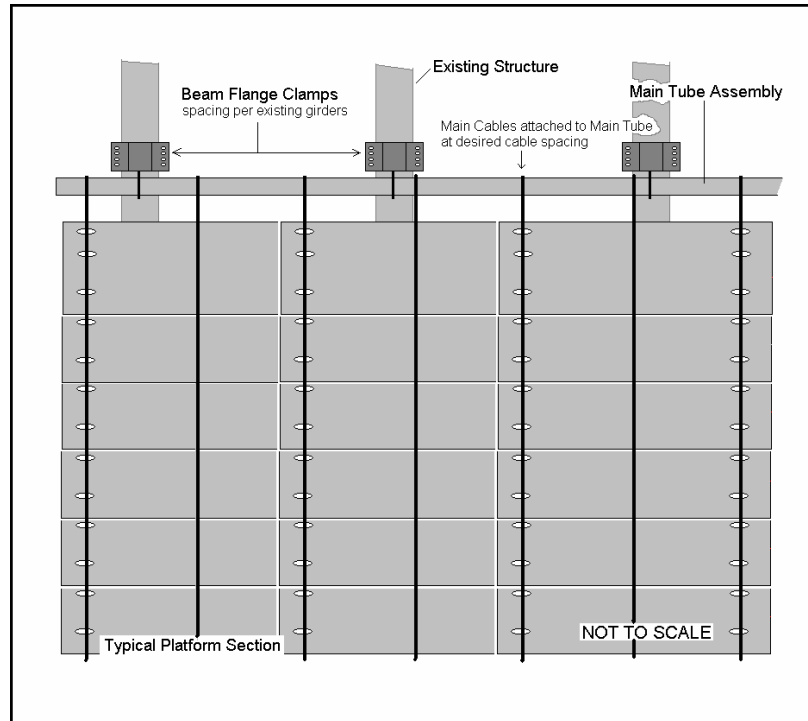
*The Beam Flange Clamp allows you to terminate the platform in mid-span by providing an end connection anchor point for the main cables.*

When it is desirable to terminate a platform at a location between piers, the usual end connection solutions may not work. If you can still run the support cables from pier to pier then you may use the normal end connections and just terminate the corrugated decking where you want. However if you must also terminate the main cables before the pier then the beam flange clamps are a hardware solution that will work here.

The Beam Flange Clamp is an end connection that simply clamps onto the bottom flange of a structural member and provides an



Beam Flange Clamp

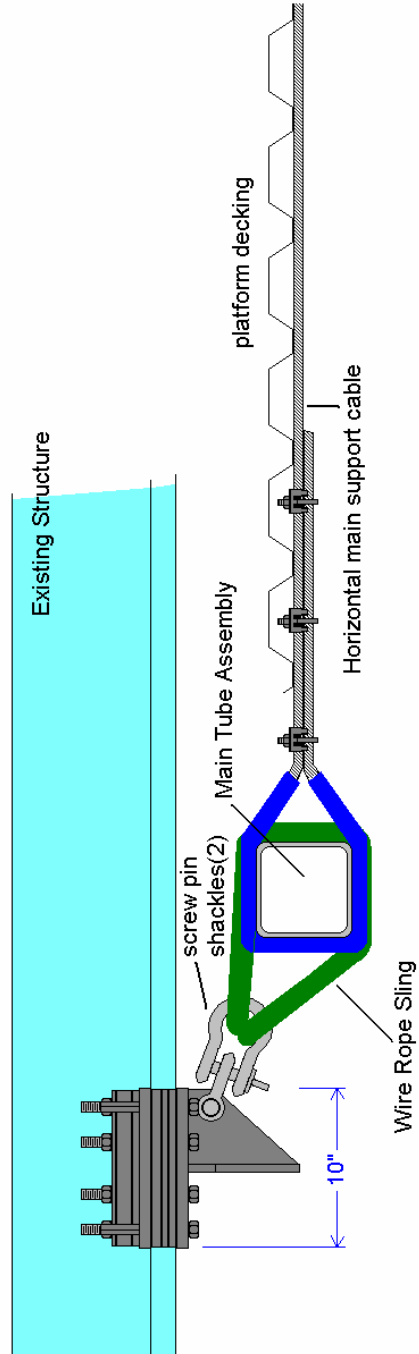


anchoring point to secure the main cable to. Main Support Tubes are used along with the Beam Flange Clamps. The Main Tube Assembly is tied to the Beam Flange Clamps and then the Main Cables are tied to the Main Tube. This is done so that the Main Cables may be attached to the Main Tube at the proper spacing without the restrictions of the structural beam spacing that the Beam Flange Clamps must follow.

As the diagram above shows the Beam Flange Clamps must follow the spacing of the girders since that is what they are attached to. The Main Tube allows you to attach the Main Cables at the proper spacing without regard to the Beam Flange Clamp spacing.

Main Tubes are a useful way to maintain proper cable spacing and may be used with other hardware besides Beam Flange Clamps. Anchor Plates, Down Riggers, and Cable Wraps may also be used to secure the Main Tube to the structure.

( NOT TO SCALE )



Beam Flange Clamp