

IMPORTANT NOTE:

THIS INFORMATION IS ONLY MEANT TO SHOW HELPFUL EXAMPLES OF HOW HARDWARE MAY BE USED. IT IS NOT MEANT TO BE THE INSTALLATION INSTRUCTIONS FOR A PROJECT.

PLATFORM HARDWARE MUST BE INSTALLED ACCORDING TO ENGINEER DESIGNED AND APPROVED DRAWINGS AND SPECIFICATIONS FOR YOUR PARTICULAR PROJECT.

DO NOT INSTALL PLATFORM HARDWARE ACCORDING TO THESE INSTRUCTIONS WITHOUT ENGINEER APPROVED DRAWINGS DESIGNED FOR YOUR SPECIFIC PROJECT.

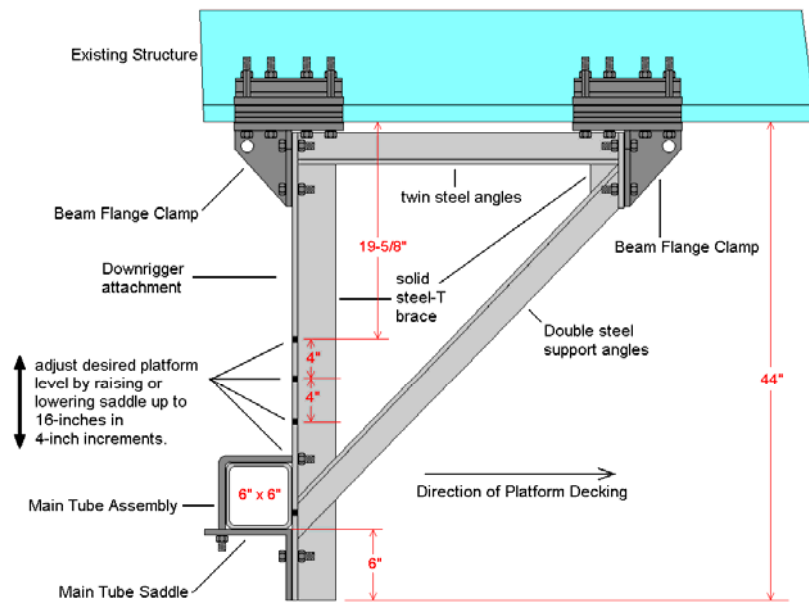
ALWAYS INSTALL ACCORDING TO YOUR ENGINEER'S SPECIFICATIONS AND INSTRUCTIONS.

NEVER EXCEED ENGINEER'S SPECIFICATIONS FOR YOUR PLATFORM REGARDLESS OF HARDWARE CAPACITY.

Beam Flange Down-Rigger

The Beam Flange Down-Rigger like the Beam Flange Clamp allows you to terminate the platform at mid-span; the Down-Rigger attachment provides more space between the Main Cables and the existing structure when needed.

The Beam Flange Down-Rigger is basically two Beam Flange Clamps with a Down-Rigger extension designed into it to lower the platform deck away from the existing structure. This is helpful when work must be performed right up to the end of the platform and having the platform close to the bottom of the existing girder does not provide enough space to work properly.



Downrigger / Beam Flange Clamp Assembly

NOT TO SCALE

Phase -1

