

IMPORTANT NOTE:

THIS INFORMATION IS ONLY MEANT TO SHOW HELPFUL EXAMPLES OF HOW HARDWARE MAY BE USED. IT IS NOT MEANT TO BE THE INSTALLATION INSTRUCTIONS FOR A PROJECT.

PLATFORM HARDWARE MUST BE INSTALLED ACCORDING TO ENGINEER DESIGNED AND APPROVED DRAWINGS AND SPECIFICATIONS FOR YOUR PARTICULAR PROJECT.

DO NOT INSTALL PLATFORM HARDWARE ACCORDING TO THESE INSTRUCTIONS WITHOUT ENGINEER APPROVED DRAWINGS DESIGNED FOR YOUR SPECIFIC PROJECT.

ALWAYS INSTALL ACCORDING TO YOUR ENGINEER'S SPECIFICATIONS AND INSTRUCTIONS.

NEVER EXCEED ENGINEER'S SPECIFICATIONS FOR YOUR PLATFORM REGARDLESS OF HARDWARE CAPACITY.

Quick Clip *Hold-Down* *Deck Clip*

The Quick Clip Hold-Down Deck Clip secures the deck panel to the horizontal support cables with a one piece assembly that's fast and easy to install

The Quick Clip Hold-Down Deck Clip is a one piece unit, designed to be assembled at the factory so it's fast and easy to use in the field. Even when not in use the Quick Clip stays together for easy storage. When your ready to use it again simply grab it and it's ready to go. No loose parts to look for. Also it's unique design keeps all the threads and moving parts below the work deck, away from sand, paint and debris. No time consuming wire brushing of threads to use it again.

INSTALLATION

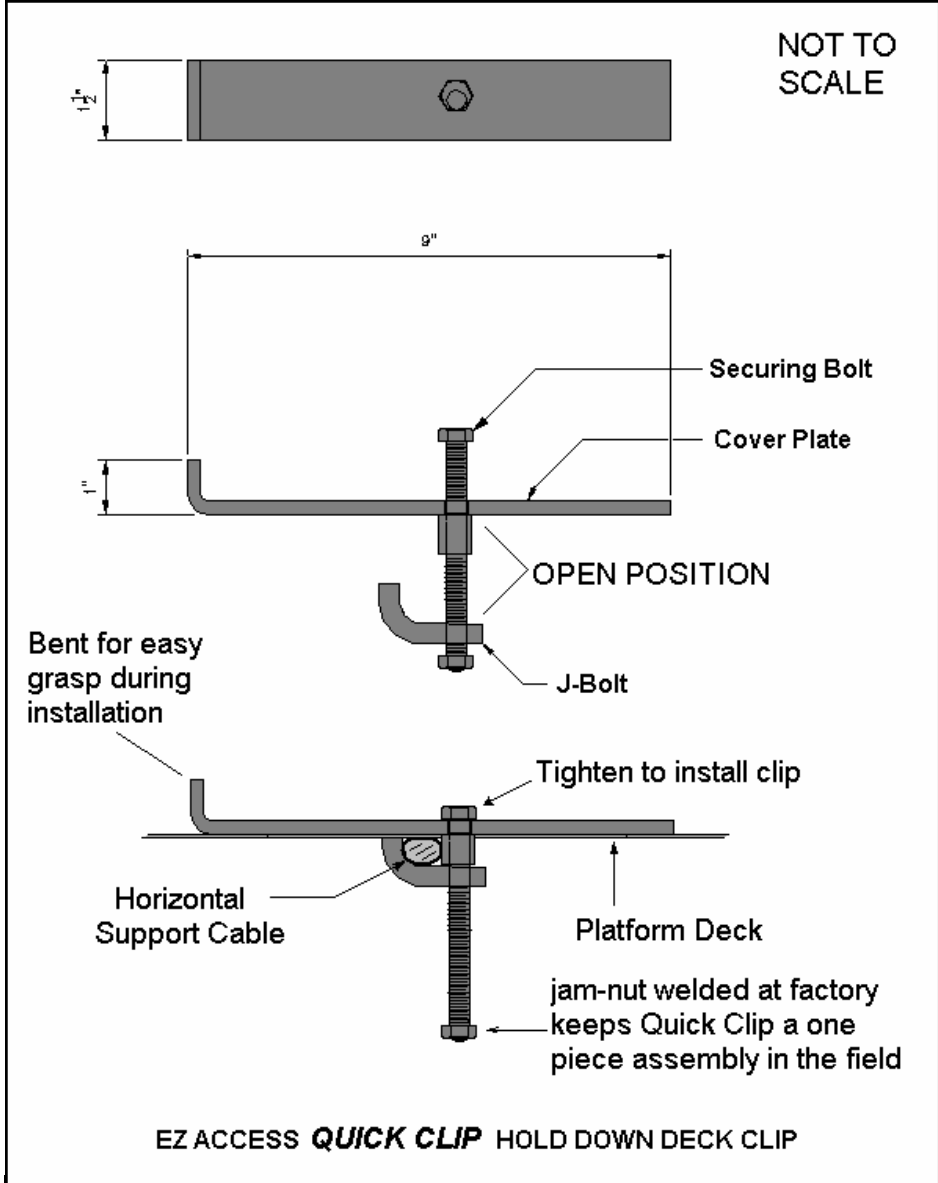
1. Grab Quick Clip by the 1" bend in the cover plate
2. With J-bolt fully opened insert J-bolt into slotted hole of deck panel and hook horizontal support cable.
3. Pull up slightly on cover plate to hold J-bolt in place on cable
4. With power driver tighten securing bolt until cover plate locks down on deck panel completely covering slotted hole



TOOLS NEEDED

- **9/16" Socket**
- **Power Driver**
(Air Wrench may also be used however Do NOT over torque.)

**Note: Do Not Exceed
Recommended Assembly
Torque 32 ft.lbs.**



Quick Clip *Double Hold-Down Deck Clip*

The Quick Clip Double Hold-Down Deck Clip secures the deck panel to the horizontal support cables while also locking the J-bolt in place

The **Quick Clip Double Hold-Down Deck Clip** installs and performs the same way the standard **Quick Clip Hold-Down Deck Clip** does with the added feature of a securing nut for the J-bolt. This gives you the added security of double locking the J-bolt in place. It also allows for an “above deck” quick visual inspection to insure the J-bolt is in position. The Double Hold-Down Deck Clip is recommended for platforms that are to remain in place for an extended period.

INSTALLATION

1. Grab Quick Clip by the 1” bend in the cover plate
2. With J-bolt fully opened insert J-bolt into slotted hole of deck panel and hook horizontal support cable.
3. Pull up slightly on cover plate to hold J-bolt in place on cable
4. With power driver tighten securing bolt until cover plate locks down on deck panel completely covering slotted hole. Make sure threaded tip of J-bolt rises up thru hole in cover plate. Do NOT exceed recommended assembly torque.
5. Place securing nut onto J-bolt and tighten

TOOLS NEEDED

- **9/16” Socket**
- **7/8” Socket**
- **Power Driver**
(Air Wrench may also be used however Do NOT over torque.

**Note: Do Not Exceed
Recommended Assembly
Torque 32 ft.lbs.**

